

**BONALDO**

# Tectonic

Designer: Alain Gilles

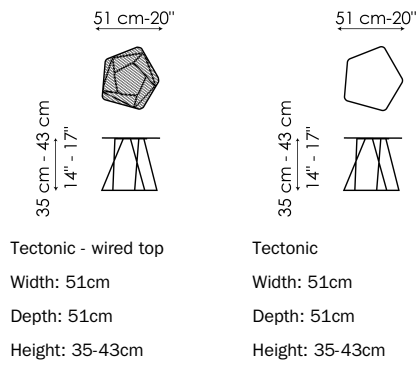


Tectonic is a table with a top available in two versions, made of steel wire or in full sheet metal, available in numerous colours. It can be used as a unique or grouped piece, with multiple elements joined together freely, in the living area or in the bedroom. An object characterised by its decisive visual impact thanks to its strongly geometric appearance, which gives the possibility of creating original configurations by combining multiple

elements in a creative way. Especially in the version with a top in painted steel wire, Tectonic continually changes its appearance according to the perspectives from which it is observed, creating distinct plays of light and shadow. A functional and decorative element that allows everyone to freely design their own space.



# Data sheet



Tectonic - wired top

Width: 51cm

Depth: 51cm

Height: 35-43cm

Tectonic

Width: 51cm

Depth: 51cm

Height: 35-43cm

## Frame

### Metal



Painted metal

Mat white



Painted metal

Mat anthracite  
grey



Painted metal

Mat brown



Painted metal

Mat black



Painted metal

Mat dove grey

### Plus Metal



Painted metal

Mat bronze



Painted metal

Mat lead



Painted metal

Mat pearl gold



Painted metal

Mat platinum

### Special Metal



Metal finish

Mat brass



Metal finish

Mat copper

The samples above represent the complete range of materials and finishes available for this product (regardless of the top shape or size, in the case of tables). Fabrics, eco-leather, leather and emery leather shown in this website are a selection. Colors and finishes are approximate and may slightly differ

from actual ones. Please visit Bonaldo dealers to see the complete sample collection and get further details about our products.